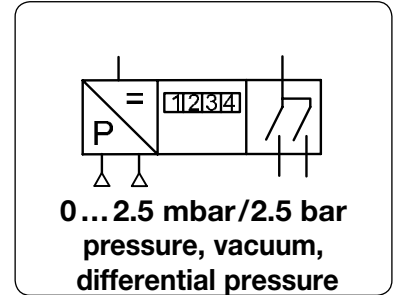


<b>Description</b>	A piezo-resistive pressure sensor converts the input pressure into a digital electrical signal.	
<b>Medium</b>	compressed air or non-corrosive gases	<b>Overpressure</b> see chart
<b>Voltage supply</b>	16...32 V DC standard, optionally 230 V AC, optional wall power supply	
<b>Electrical connection</b>	screw terminals for wire up to 1.5 mm <sup>2</sup>	
<b>Pneumatic connection</b>	<b>P+</b> : pos. pressure <b>P-</b> : vacuum <b>P+/P-</b> : differential pressure, the higher pressure is to be connected at P+	
<b>Process connection</b>	4 mm and 6 mm tube connections	
<b>Display</b>	4-digit LCD display, max. ± 1999	
<b>Output signal</b>	0...10 V, optionally 4...20 mA, impedance < 500 Ω	
<b>Linearity/Hysteresis</b>	< 1% FS, optionally < 0.5% FS	
<b>Long-term stability</b>	< 0.5% FS per year at < 10 mbar, < 0.1% FS per year at > 25 mbar	
<b>Temperature sensitivity</b>	see chart, at 0 to 50 °C / 32 to 122 °F	
<b>Response time</b>	< 1 ms for 10...90% of pressure range	
<b>Temperature range</b>	0 °C to 50 °C / 32 °F to 122 °F compensated pressure range	
<b>Material</b>	Housing: glass fibre-reinforced Noryl plastic	
	<b>Repeatability</b>	<b>Protection class</b> IP 20



Repeatability	Temperature error	Linearity error	Over-pressure	Measurement range	Order number
% FS	% FS	% FS	mbar/bar	mbar/bar	

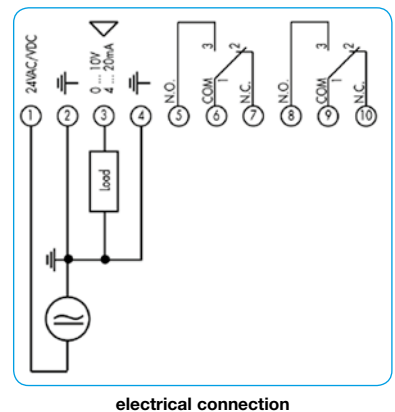
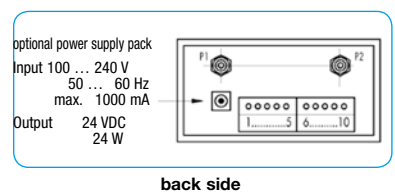
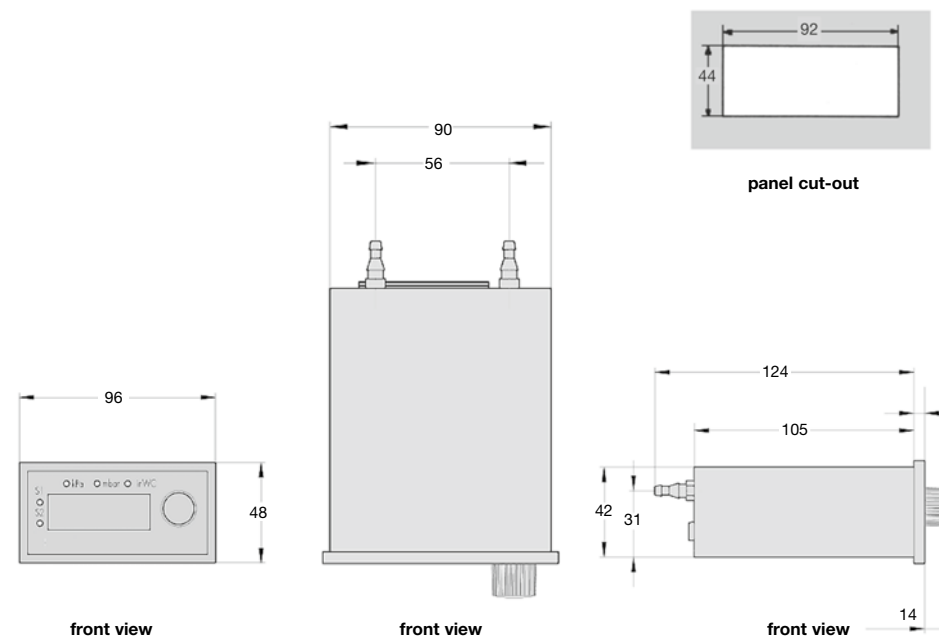
Digital gauge	for compressed air, measurement of positive pressure, vacuum and differential pressure, 24 V DC, outlet signal 0...10 V, 3½-digit display				MPV
0.2	5.0	1.0	25 mbar	0... 2,5 mbar	<b>MPV-A2</b>
0.2	5.0	1.0	25 mbar	0... 5 mbar	<b>MPV-A5</b>
0.2	2.5	1.0	25 mbar	0... 10 mbar	<b>MPV-B1</b>
0.5	1.0	1.0	300 mbar	0... 25 mbar	<b>MPV-B2</b>
0.5	1.0	1.0	750 mbar	0... 50 mbar	<b>MPV-B5</b>
0.5	1.0	1.0	1 bar	0...100 mbar	<b>MPV-C1</b>
0.5	1.0	1.0	1 bar	0...250 mbar	<b>MPV-C2</b>
0.5	1.0	1.0	1 bar	0...500 mbar	<b>MPV-C5</b>
0.5	1.0	1.0	3 bar	0... 1 bar	<b>MPV-01</b>
0.5	1.0	1.0	6 bar	0... 2.5 bar	<b>MPV-02</b>



**MPV-C1S**  
with two limit switches

## Special options, add the appropriate letter

<b>4...20 mA output signal</b>		MPA- . .
<b>two limit switches</b>	with LED, 230 V AC, 1 A, adjustable NOC	MP . . . S
<b>linearity 0.5%</b>		MP . . . B
<b>230 V AC</b>	supply voltage	MP . . . V
<b>deviant measurement range</b>	to be indicated on order (max. 2,5 bar)	MP . . XX



\*1 Handshake on/off, Baudrate 9600